



Vertical Control **Power Grip**

Congratulations on your purchase of the ProMaster Vertical Control Power Grip for the Nikon D750. This battery grip will provide longer shooting times for your camera, comfortable photography when taking vertical-orientation shots, and a more stable overall camera rig which reduces the chance of shake and blur.

To ensure proper operation, please read this manual thoroughly before using this product.

This grip is specially designed for the Nikon D750 camera. It is equipped with an alternate shutter button and main dial for easy shooting in a vertical position. This battery grip can hold an EL-EL15a rechargeable Li-Ion battery in its battery holder tray and one may remain in the camera. By using two batteries you double the shooting time of the camera. A second EN-EL15a Li-Ion battery holder tray is included so you can make fast battery changes. Additionally, a battery tray that can hold 6 AA batteries is included as an alternate power source. If you wish, an EH-5c AC adapter (with EP-5B power connector) may be combined and used as another power source option (sold separately).

Warning

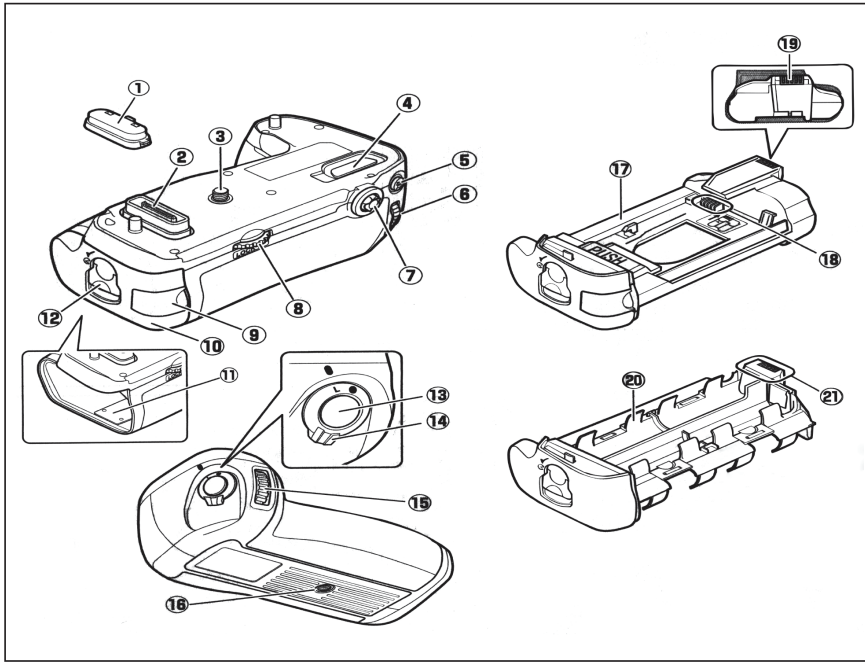
- This product should only be used with compatible devices specified in this instruction sheet.
- Use ONLY with the batteries and battery holders recommended.
- The Vertical-grip operation switch is not a power switch; use the camera power switch to turn the power on/off.
- Do not have batteries installed in the grip when mounting it to the camera or removing it from the camera.
- Remove batteries from the grip when not in use for an extended period.
- Do not disassemble or repair this product yourself. Doing so will void your warranty.
- Avoid water or extreme humidity and be sure to store in a cool, dry location.
- Do not dispose of in fire or extremely high temperature environment.
- Keep the product and parts away from children to avoid hazard from swallowing.

Code 1669

Made in China

WWW.PROMASTER.COM | FAIRFIELD, CT 06825

Part Names



- | | |
|--|--|
| 1) Protective cap | 12) Battery holder release handle |
| 2) Electrical contacts | 13) Shutter button |
| 3) Attachment screw | 14) Control lock |
| 4) Camera cover storage area | 15) Sub-command dial |
| 5) AE-L / AF-L Button | 16) Tripod socket |
| 6) Main command dial | 17) EN-EL15a Battery holder tray |
| 7) Multi selector | 18) Battery contacts |
| 8) Attach/detach knob | 19) EN-EL15a Battery holder tray
power contacts |
| 9) Power connector cover | 20) AA Battery holder tray |
| 10) Battery tray (may be either
ENEL15a or AA battery tray) | 21) AA Battery holder tray
power contacts |
| 11) Battery chamber | |

Specifications

Power Source	2 x EN-EL15a, 6 x AA, or EH-5c
Compatible Cameras	Nikon D750
Operating Temperature	0°C to 40°C (32°F to 104°F)
Dimensions	Approx. 5 1/2" x 3" x 2 1/8" 139.7 mm x 76.2 mm x 54 mm
Weight (with 1 tray/ no batteries)	Approx. 7.4 oz 210 g

One Year Unconditional Warranty

If for any reason, this ProMaster product fails within ONE YEAR of the date of purchase, return this product to your ProMaster dealer and it will be exchanged for you at no charge. ProMaster products are guaranteed for ONE FULL YEAR against defects in workmanship and materials. If, at any time after one year, your ProMaster product fails under normal use, we invite you to return it to ProMaster for evaluation.

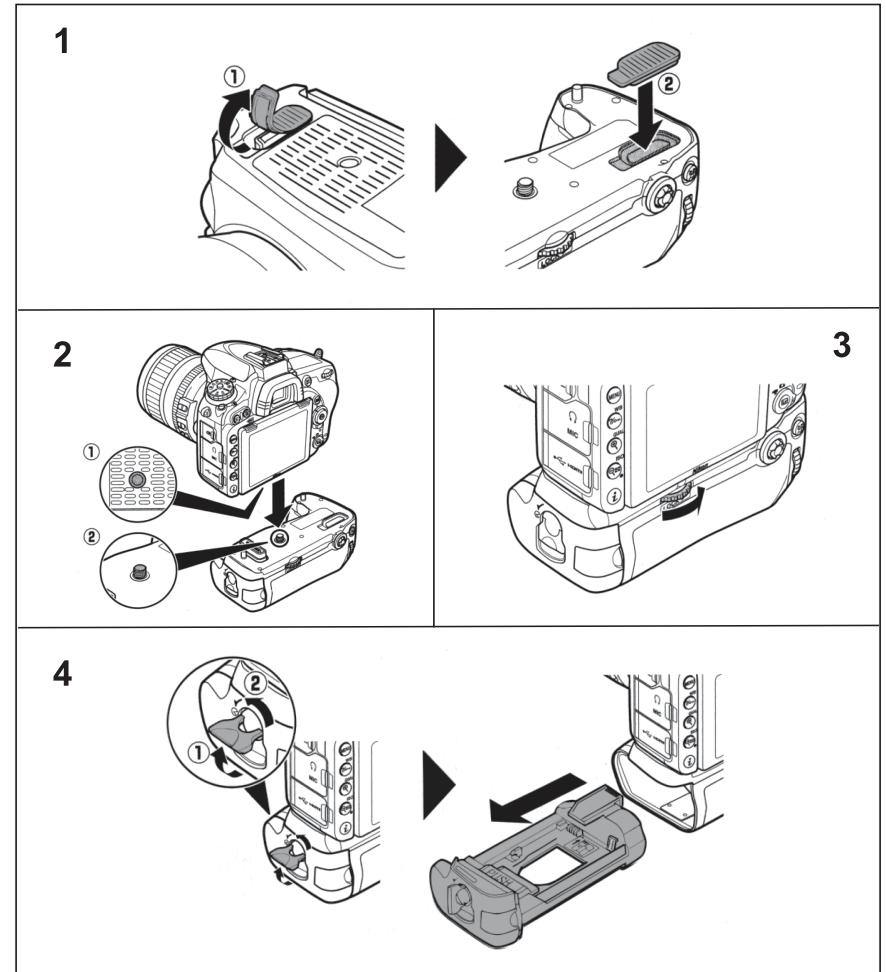
Operation and Use of the Grip

1. Your camera must be turned ON for the grip to operate. When your camera is ON the grip may be switched ON or OFF by using the Control lock (14). Please note, the grip will continue to supply power to your camera whether the Control lock (14) is set to ON or OFF. Setting the Control lock to OFF only disables the operation of the grip's camera controls to prevent accidental changes to your camera's settings and/or accidental taking of photographs.
2. Use the grip's Shutter button (13) to comfortably auto focus and take photographs while holding your camera in a vertical position.
3. Use the buttons and command dials such as the AE-L / AF-L Button (5), Main command dial (6), Multi selector (7), Shutter button (13), and Sub-command dial (15) as you would on your camera. These controls work the same as they do on your camera.
4. Use the Tripod socket (16) to mount your grip and camera to a tripod or quick release plate.
5. This grip includes two EN-EL15a battery holder trays so you can carry spare power and change battery trays very fast. However, always be sure to turn off power to your camera before changing batteries.

Troubleshooting

Symptom	Possible Solution
The camera does not work even after the grip is attached to the camera, the batteries are inserted into the unit and the camera POWER switch is set to ON.	Check that the Camera attachment screw (3) is securely tightened. Check that the batteries are charged. Remove the batteries from Battery holder (17) or (20), then re-insert. Set the camera POWER switch to OFF, remove the batteries, and remove then reattach the grip to the camera.
Shutter button or other operating buttons on the grip do not work.	Check that the Control lock (14) is not set to OFF. Remove the batteries from the Battery holder (17) or (20), then reinsert. Set the camera POWER switch to OFF, remove the batteries, and remove grip then reattach the grip to the camera.

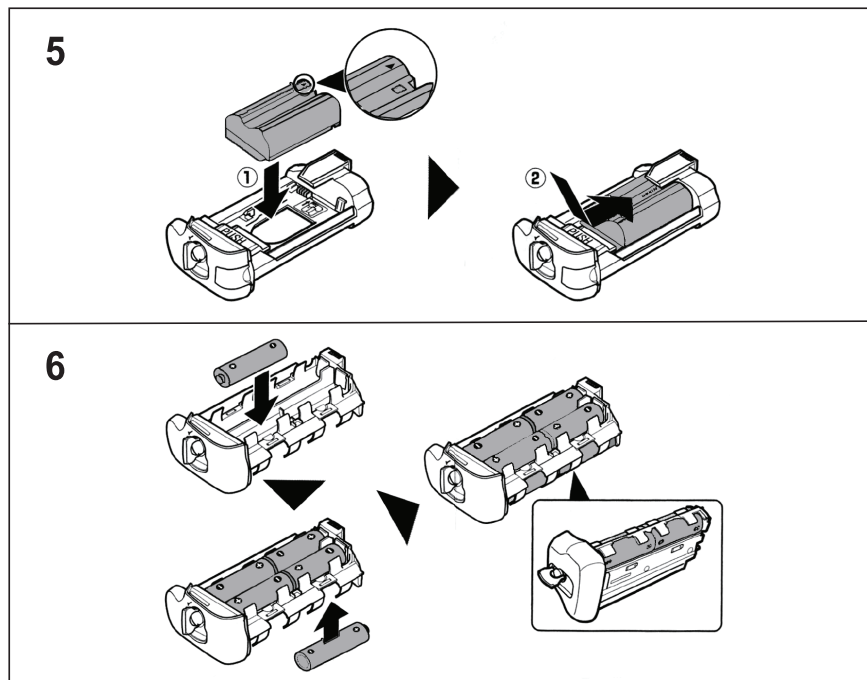
Attaching To Your Camera



1. Remove the rubber cover on the bottom of the camera which covers the electrical contacts. Store this rubber cover in the Camera cover storage area (4).
2. Attach the grip to the camera by lining up the Attachment screw (3) with the camera's tripod socket.
3. Use the grip's Attach/detach knob (8) to securely tighten the grip to the camera by rotating it in the direction of the LOCK arrow.
4. Remove the empty battery tray.

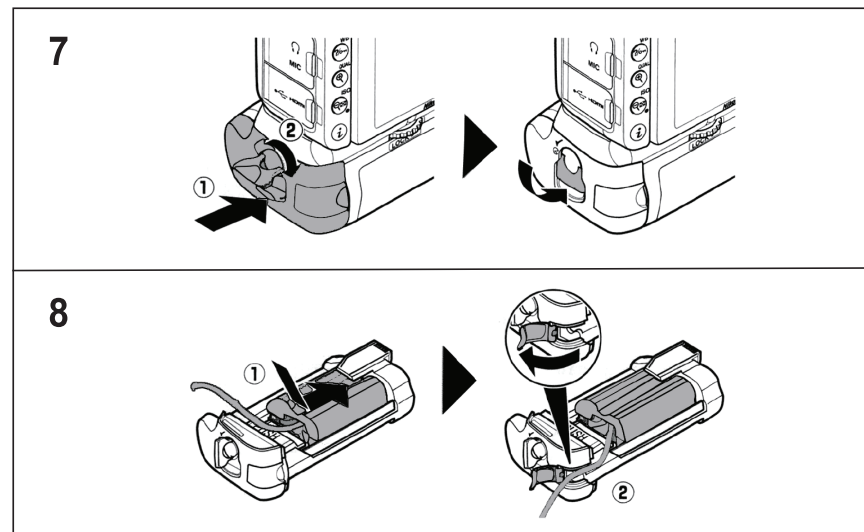
**Note: The grip should be installed without any batteries in it.*

Installing The Batteries



5. When using the EN-EL15a Battery holder tray (17) be sure to line up the battery's contacts with the EN-EL15a Battery holder tray contacts (18). Push the battery down into the cavity in the EN-EL15a Battery holder tray (17) and slide it towards the contacts until it 'clicks' into place.
6. The AA Battery holder tray (20) is another option for power. It will work with 6 common 1.5V alkaline, 1.5V lithium, or 1.2V NiMH AA cells. However, power from this source will not typically last as long as the EN-EL15a battery option or have as good of cold-weather performance. Be sure all AA cells are of the same brand, type, and age before installing them into the AA Battery holder tray (20). Follow the +/- markings on the battery holder tray to ensure all AA cells are installed in the proper orientation.

Installing The Batteries



7. Insert your chosen battery tray into the grip's Battery chamber (11). Turn the Battery holder release handle (12) clockwise to lock the tray in place.
8. For continuous AC power you may use one of the EN-EL15a Battery holder trays (17) along with the Nikon EH-5c AC adapter and EP-5B power connector. Install the 'dummy' battery as you would a standard EN-EL15a into the tray. Open the Power connector cover (9) on the tray and pass the power cord through it. Install the tray as normal.

** Note: Do NOT disconnect the EH-5c from its power source while the grip is turned ON. Always turn the grip off using the Control lock (14) before disconnecting power. Also turn off the camera's power before disconnecting power.*